

Saturn 2 Cutoff LED



Order Code: **SAC2L - R1 - 1 - LG4700 30 - 10 - FINISH - VOLT - DS**

Pole Order Code: **A35 - 10 - FINISH**

|                   | Series  | Height                         | Finish                           | Options  |                                      |                                       |   |  |
|-------------------|---|--------------------------------|----------------------------------|--|--------------------------------------|---------------------------------------|---|--|
| Series            | <b>SAC2L</b><br>Saturn 2 Cutoff LED   |                                |                                  |  |                                      |                                       |   |  |
| Optics            | <b>R1</b><br>Type I Distribution  | R2<br>Type II Distribution     | R3<br>Type III Distribution      | R5<br>Type V Distribution  |                                      |                                       |   |  |
| Mounting          | <b>1</b><br>Single  | 1A<br>Single Arm Mount         | 2<br>Double                      | W<br>Wall Mount  |                                      |                                       |   |  |
| Light Engine      | <b>LG4500</b><br>500 mA/51W   | <b>LG4700</b><br>700 mA/65W    | LG4105<br>1050 mA/101W           |  |                                      |                                       |   |  |
| CCT               | <b>30*</b><br>3000K   | 35<br>3500K                    | 40<br>4000K                      | 50<br>5000K<br><small>*IDA Approved for other CCT please consult factory</small> |                                      |                                       |   |  |
| Power Cord Length | 8 <sup>1,2</sup><br>8'  | <b>10<sup>1,2</sup></b><br>10' | 12 <sup>1,2</sup><br>12'         | 14 <sup>1,2</sup><br>14'   | 16 <sup>1,2</sup><br>16'             | 18 <sup>1,2</sup><br>18'              | XX <sup>1,2</sup><br>XX'  | <small><sup>1</sup>For 1 mounting use the pole height<br/><sup>2</sup>For 1A or 2 mounting use the pole height +2</small>  |
| Finish            | WH<br>White   | BK<br>Black                    | BZ<br>Bronze                     | SV<br>Silver   | SP<br>Specify Premium Color          |                                       |   |  |
| Voltage           | 120   | 208                            | 240                              | 277  | <b>347*</b>                          | <b>480*</b>                           |   | <small>*Equipped with step-down transformer</small>  |
| Options           | <b>DS</b><br>No Uplight Finish  | HS<br>House Side Shield (180°) | FS <sup>3</sup><br>Single Fusing | PCT<br>Photocell Tenon<br><small>See p. 7 for details</small>                    | DM <sup>6,7</sup><br>Dimming (0-10V) | DMY <sup>4</sup><br>Dimming (Dynadim) | HLxx <sup>5,6,7</sup><br>Hi-Lo Switching<br><small>See p. 5 for details</small> | <small><sup>3</sup>Not available with 347V or 480V<br/><sup>4</sup>LG4700 only<br/><sup>5</sup>120, 240, 277 only<br/><sup>6</sup>LG4700, LG4105 only<br/><sup>7</sup>HL or DM</small> |
|                   | <b>Motion Sensor w/ Optional Photocell</b><br><small>(Meets Title 24 Requirements)<br/>See Pole Spec Sheet for Order Code</small> |                                |                                  |  |                                      |                                       |   |  |

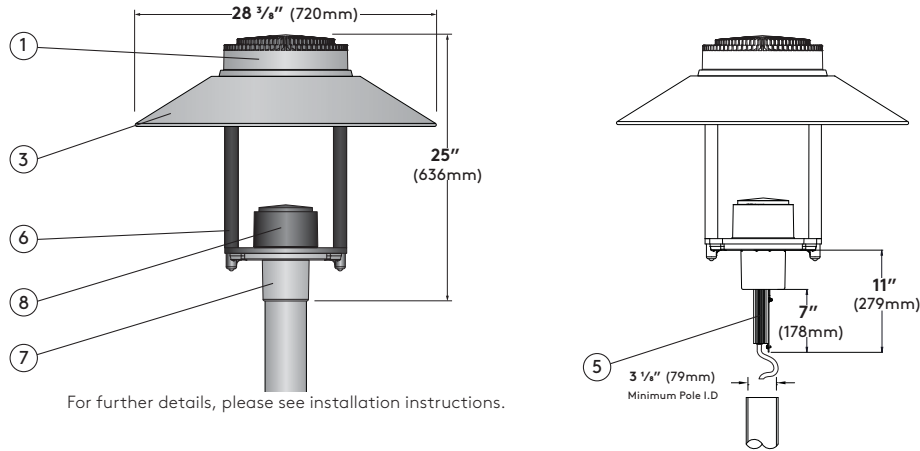
Product Modifications

Please list modification requirements for review by factory:

Approvals

**PROJECT: EVERGREEN SUBARU**  
**TYPE: SL6**  
**MANUFACTURER: SELUX**  
**CAT# SAC2L-R1-1-LG4700-30-10-FINISH-VOLT-DS / A35-10-FINISH**

## SAC2L-1-XX-DS



For further details, please see installation instructions.

### Specifications

**1. Luminaire Cover** - Die cast aluminum cover made from low copper alloy, designed to ensure optimal thermal management for extra long life time of LED light engine.

**2. Gasketing** - (not shown) Continuous gasket provides weatherproofing, dust and insect control at all fixture connections.

**3. Luminaire Hood** - Aluminum shade with white painted interior.

**4. LED Array** - (not shown) High flux LEDs mounted to PC boards and attached to aluminum heat sink for maximum LED performance and life. CCT tolerance 1/4 step binning for 3000K, 3500K and 4000K and ANSI standard for 5000K. CRI minimum 80 for 3000K, 3500K and 4000K and typical 80 for 5000K. Complete light engine can be removed easily for future upgrade. LED light engine provides a reported lumen maintenance of 94% at 60,000 hours. L70 calculated greater than 100,000 hours.

**5. LED Driver** - LEDs are driven by RoHS compliant high-efficiency driver. Excellent for cold temperature starting and instant on. Standard driver for DMY option is Philips Xitanium Driver.

**6. Hood Supports** - Two aluminum arms support shade and optic assembly and attach to the die cast aluminum pole fitter (shown painted matte black for DS option).

**7. Pole Fitter** - Self-leveling, die-cast low-copper aluminum alloy, fitter base secured to pole with three, stainless steel, Allen head set screws. Fitter for 3 1/2" (90mm) O.D. poles.

**8. Driver cover** - Die cast aluminum cover made from low copper alloy, removes for tool-less access to driver. Driver secured to removable tray for ease of maintenance (shown painted matte black for DS option).

**9. Surge Protector** - (not shown) Designed to protect luminaire from electrical surge (10kA).

**10. Hi-Lo Switching Option** - (not shown) Please see p. 5 for details.

**11. Power Cord** - (not shown) Pre-installed at factory. Please specify power cord length in accordance to height of the pole. Add 2 feet to power cord length if double mounting (2) is specified.

**Exterior Luminaire Finish** - Selux utilizes a high quality Polyester Powder Coating. All Selux luminaires and poles are finished in our Tiger Drylac certified facility and undergo a five stage intensive pretreatment process where product is thoroughly cleaned, phosphated and sealed. Selux powder coated products provide excellent salt and humidity resistance as well as ultraviolet resistance for color retention. All products are tested in accordance with test specifications for coatings from ASTM and PCI.

Standard exterior colors are White (WH), Black (BK), Bronze (BZ), and Silver (SV). Selux premium colors (SP) are available, please specify from your Selux color selection guide.

**5 Year Limited LED Luminaire Warranty** - Selux offers a 5 Year Limited Warranty to the original purchaser that the Saturn Cutoff LED luminaire shall be free from defects in material and workmanship for up to five (5) years from date of shipment. This limited warranty covers the LED driver and LED array when installed and operated according to Selux instructions. For details, see "Selux Terms and Condition of Sale."

**Listings and Ratings:** Luminaire and LED tested to IP65 and IESNA LM-79-08 standards. LED tested to LM-80 standards. Luminaire and LED tested at 25°C ambient temperature.

**For LG4500 and LG4700, luminaire suitable for ambient temperatures of 55°C (130°F). For LG4105, luminaire suitable for ambient temperature of 45°C (113°F). Minimum operating temperature of luminaire at -35°C (-31°F).**

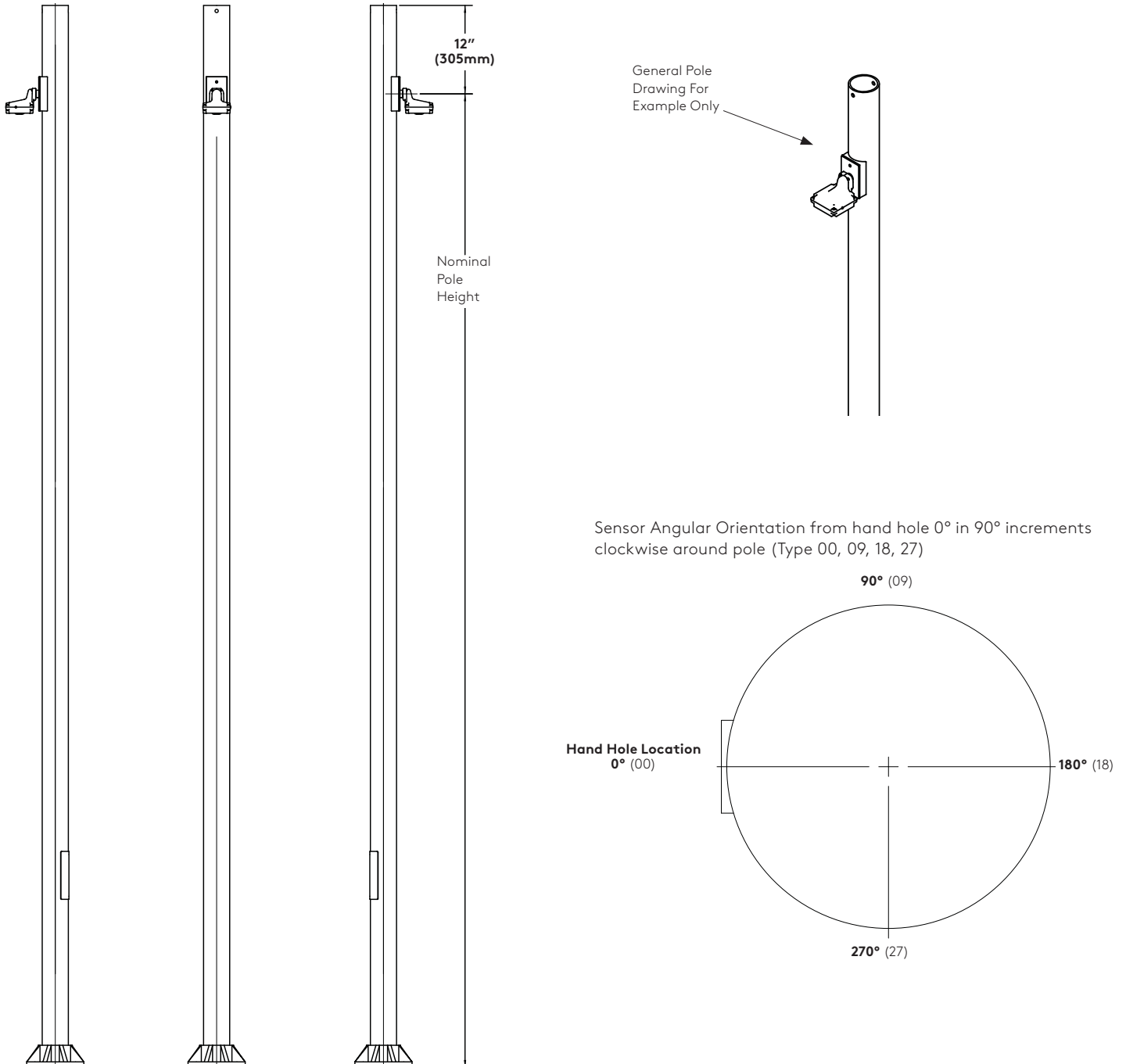
**NRTL Listed (i.e. UL, CSA)**

**Visit [selux.us](http://selux.us) for our LED End of Life recycling policy.**

**Motion Sensor Features**

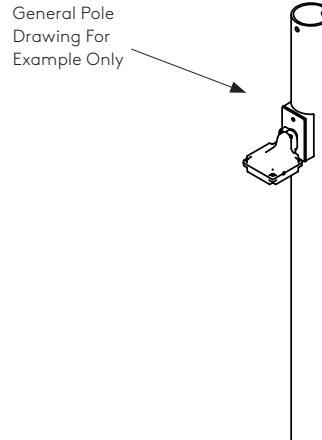
The Selux outdoor rated sensor incorporates Passive Infrared (PIR) technology for motion sensing and also includes a built in photocell. Designed to mount directly through a 1/2" KO in a single gang faceplate on pole/column, the SBO utilizes 100% Digital Passive Infrared (PIR) technology that is tuned for walking size while preventing false tripping from the environment.

| Series              | Optics                          | Hand Hole Orientation | Program     | Color     | Photocell Feature | Voltage |
|---------------------|---------------------------------|-----------------------|-------------|-----------|-------------------|---------|
| MS<br>Motion Sensor | 1 270° coverage - Single Sensor | 00                    | D0 (0V=0%)  | WH White  | Y Yes             | UNV     |
|                     |                                 | 09                    | D1 (1V=10%) | BK Black  | N No              | 347     |
|                     |                                 | 18                    | D3 (3V=30%) | BZ Bronze |                   | 480     |
|                     |                                 | 27                    | D5 (5V=50%) |           |                   |         |

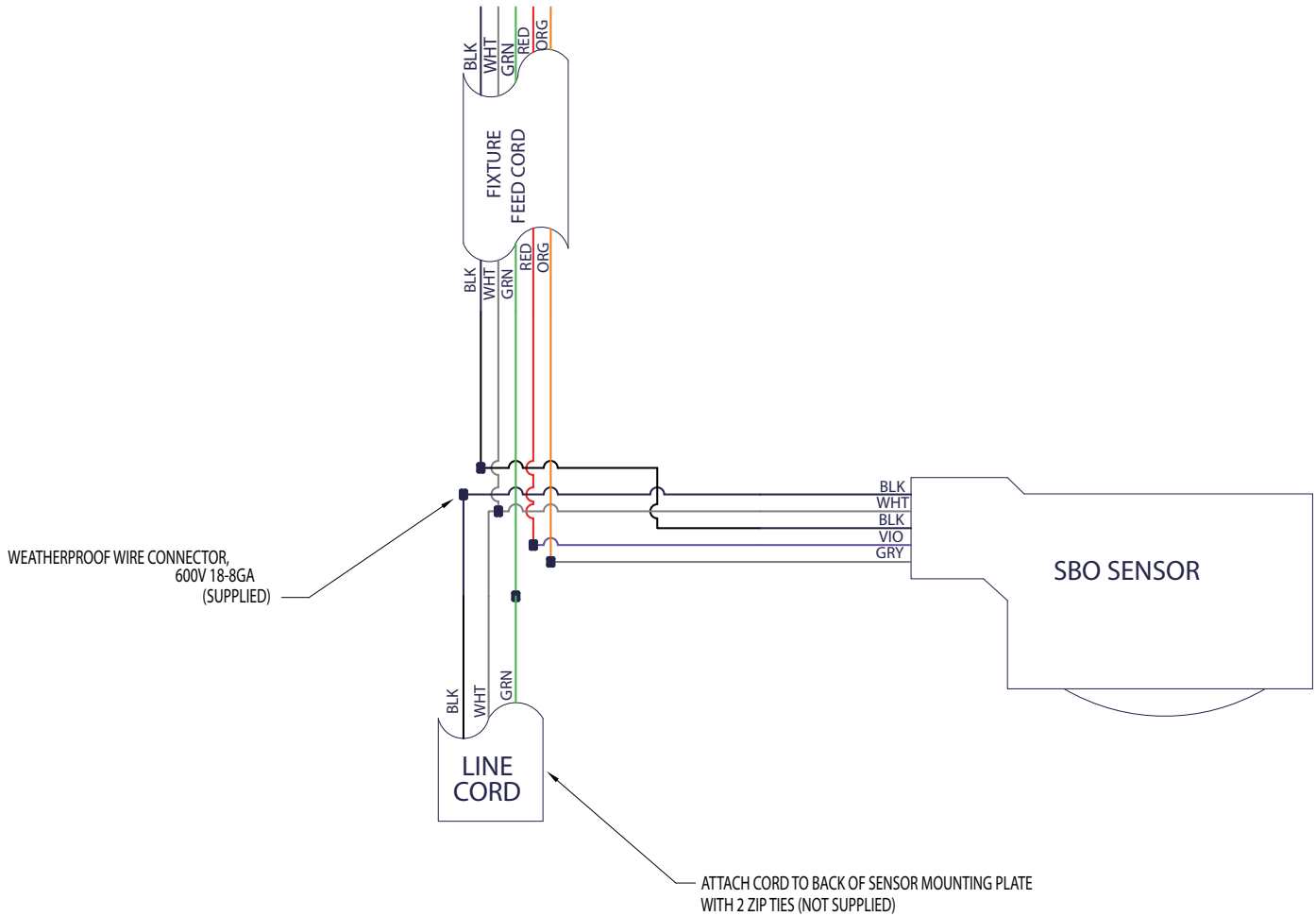


**Motion Sensor Features**

- 100% Digital PIR Detection, excellent RF Immunity
- 270° coverage pattern
- Up to 30ft mounting
- IP66 Rated for outdoor applications
- Built-in 1kV surge protection
- No minimum load requirements
- Made for LED light source
- Interchangeable hot and load wires - impossible to wire backwards
- Adjustable time delays, max/min dim levels and ramp rates
- Programming button accessible without opening sensor or removing gaskets
- No field calibration or sensitivity adjustments required
- Non-volatile setting memory
- Convenient test mode
- Suitable for Title 24 applications



**Motion Sensor Wiring**



**Mounting**

**Single (1)**

Die-cast aluminum fitter base secured to pole with three stainless steel, Allen head set screws.

EPA = 1.7ft<sup>2</sup> (0.16m<sup>2</sup>)  
Weight = 39lbs. (17.7kg)

**Single Arm Mount (1A)**

Die-cast aluminum single luminaire mounting arm secured to pole with four stainless steel, Allen head set screws. Outer slip fitter for 3 1/2" O.D. tenon.

EPA = 2.7ft<sup>2</sup> (0.25m<sup>2</sup>)  
Weight = 53lbs. (24.0kg)

**Double (2)**

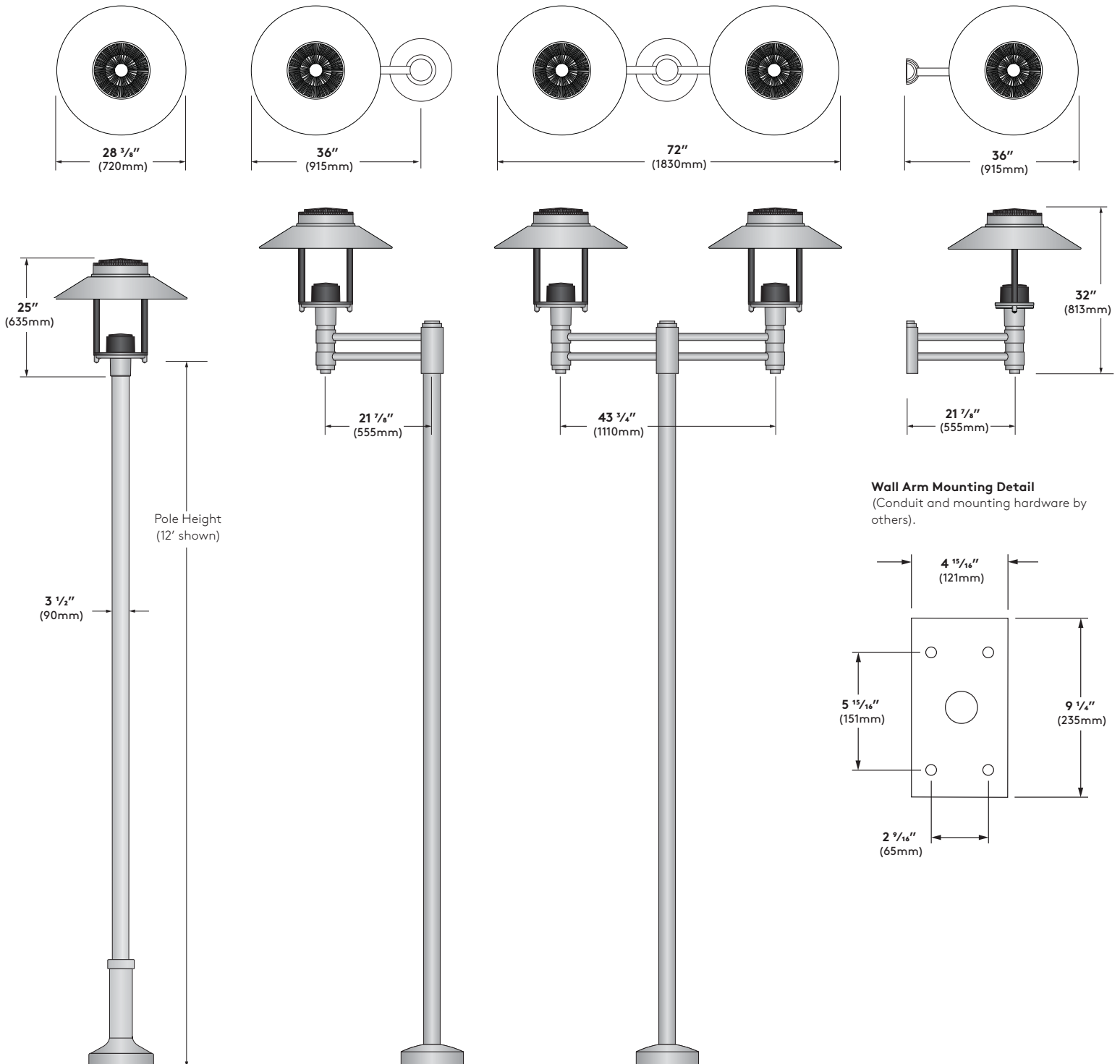
Die-cast aluminum double luminaire mounting arm secured to pole with four stainless steel, Allen head set screws. Outer slip fitter for 3 1/2" O.D. tenon.

EPA = 5ft<sup>2</sup> (0.46m<sup>2</sup>)  
Weight = 100lbs. (45.3kg)

**Wall (W)**

Die-cast aluminum double round wall mount arm. Secured to wall with 1/4" diameter threaded fasteners (by others).

EPA = 2.5ft<sup>2</sup> (0.23m<sup>2</sup>)  
Weight = 50lbs. (22.7kg)



**Pole Information**

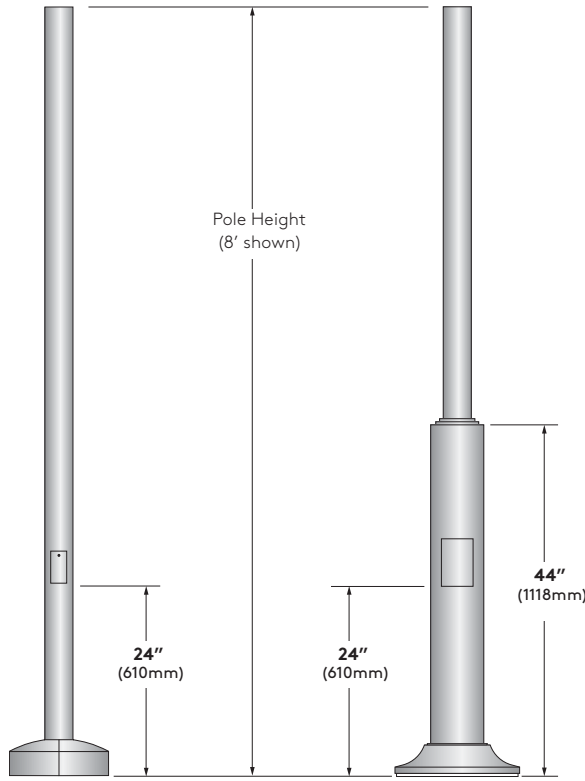
Refer to pole specification sheets for construction details, anchorage information and additional options.

**Base Cover Information**

Refer to pole specification sheets for construction details, anchorage information and additional options.

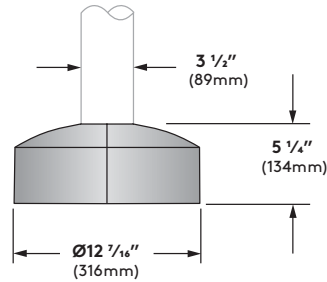
**A35 & S35  
Round Straight Aluminum  
& Round Straight Steel**

**S635  
Round Stepped Steel Poles**

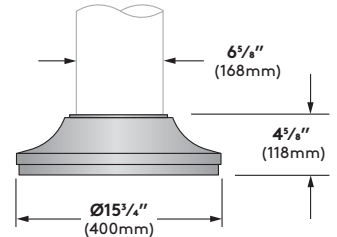


Shown with standard base covers.

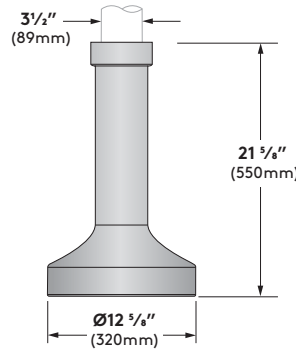
**Standard Base Cover (BC5)  
Supplied with A35 and S35**  
Two-piece cast aluminum



**Standard Base Cover (BC6)  
Supplied with S635**  
One-piece cast aluminum



**Optional Base Cover (BC1)  
For A35 and S35 only**  
One-piece cast aluminum

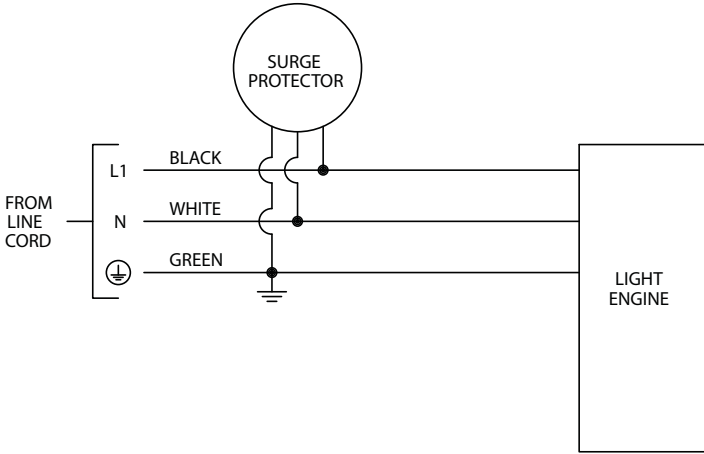


**Pole Data Chart**

| Pole Series                                | Bolt Circle | EPA Information |       |       |        |        | Height | Finish   | Options   |
|--|-------------|-----------------|-------|-------|--------|--------|--------|--|---|
|  |             | 70mph           | 80mph | 90mph | 100mph | 110mph |        |  |   |
| S635 3 1/2" Diameter Stepped Steel Pole    | Ø9"         | 57.6            | 44.3  | 34.6  | 27.5   | 22.8   | 8 ft.  | WH White<br>BK Black<br>BZ Bronze<br>SV Silver<br>SP Specify Premium Color | BC1 Decorative Cast Aluminum Base Cover (for A35 & S35 poles only)<br>REC GFCI Receptacle with weatherproof cover <sup>1</sup> (120V only)<br>REC2 GFCI Receptacle with padlockable in-use cover <sup>1</sup> (120V only)<br>MS Motion Sensor w/ Optional Photocell (Meets Title 24 Requirements) |
| A35 3 1/2" Diameter Straight Aluminum Pole | Ø7 3/4"     | 16.1            | 12.2  | 9.4   | 7.3    | 5.9    |        |  |   |
| S35 3 1/2" Diameter Straight Steel Pole    | Ø7 3/4"     | 14.8            | 11.3  | 8.6   | 6.7    | 5.4    |        |  |   |
| S635 3 1/2" Diameter Stepped Steel Pole    | Ø9"         | 45.6            | 35.0  | 27.3  | 21.6   | 17.8   | 10 ft. | WH White<br>BK Black<br>BZ Bronze<br>SV Silver<br>SP Specify Premium Color | BC1 Decorative Cast Aluminum Base Cover (for A35 & S35 poles only)<br>REC GFCI Receptacle with weatherproof cover <sup>1</sup> (120V only)<br>REC2 GFCI Receptacle with padlockable in-use cover <sup>1</sup> (120V only)<br>MS Motion Sensor w/ Optional Photocell (Meets Title 24 Requirements) |
| A35 3 1/2" Diameter Straight Aluminum Pole | Ø7 3/4"     | 12.4            | 9.3   | 7.1   | 5.4    | 4.3    |        |  |   |
| S35 3 1/2" Diameter Straight Steel Pole    | Ø7 3/4"     | 11.4            | 8.6   | 6.5   | 4.9    | 3.9    |        |  |   |
| S635 3 1/2" Diameter Stepped Steel Pole    | Ø9"         | 37.6            | 28.7  | 22.3  | 17.5   | 14.4   | 12 ft. | WH White<br>BK Black<br>BZ Bronze<br>SV Silver<br>SP Specify Premium Color | BC1 Decorative Cast Aluminum Base Cover (for A35 & S35 poles only)<br>REC GFCI Receptacle with weatherproof cover <sup>1</sup> (120V only)<br>REC2 GFCI Receptacle with padlockable in-use cover <sup>1</sup> (120V only)<br>MS Motion Sensor w/ Optional Photocell (Meets Title 24 Requirements) |
| A35 3 1/2" Diameter Straight Aluminum Pole | Ø7 3/4"     | 9.9             | 7.3   | 5.4   | 4.0    | 3.1    |        |  |   |
| S35 3 1/2" Diameter Straight Steel Pole    | Ø7 3/4"     | 9.1             | 6.7   | 4.9   | 3.6    | 2.8    |        |  |   |
| S635 3 1/2" Diameter Stepped Steel Pole    | Ø9"         | 31.7            | 24.2  | 18.6  | 14.6   | 11.9   | 14 ft. | WH White<br>BK Black<br>BZ Bronze<br>SV Silver<br>SP Specify Premium Color | BC1 Decorative Cast Aluminum Base Cover (for A35 & S35 poles only)<br>REC GFCI Receptacle with weatherproof cover <sup>1</sup> (120V only)<br>REC2 GFCI Receptacle with padlockable in-use cover <sup>1</sup> (120V only)<br>MS Motion Sensor w/ Optional Photocell (Meets Title 24 Requirements) |
| A35 3 1/2" Diameter Straight Aluminum Pole | Ø7 3/4"     | 8.0             | 5.8   | 4.2   | 3.0    | 2.2    |        |  |   |
| S35 3 1/2" Diameter Straight Steel Pole    | Ø7 3/4"     | 7.3             | 5.3   | 3.8   | 2.7    | 1.9    |        |  |   |
| S635 3 1/2" Diameter Stepped Steel Pole    | Ø9"         | 21.7            | 15.8  | 12.3  | 9.6    | 7.6    | 16 ft. | WH White<br>BK Black<br>BZ Bronze<br>SV Silver<br>SP Specify Premium Color | BC1 Decorative Cast Aluminum Base Cover (for A35 & S35 poles only)<br>REC GFCI Receptacle with weatherproof cover <sup>1</sup> (120V only)<br>REC2 GFCI Receptacle with padlockable in-use cover <sup>1</sup> (120V only)<br>MS Motion Sensor w/ Optional Photocell (Meets Title 24 Requirements) |
| A35 3 1/2" Diameter Straight Aluminum Pole | Ø7 3/4"     | 4.9             | 3.2   | 2.2   | 1.4    | N/A    |        |  |   |
| S35 3 1/2" Diameter Straight Steel Pole    | Ø7 3/4"     | 4.4             | 2.8   | 1.9   | N/A    | N/A    |        |  |   |

**Wiring**

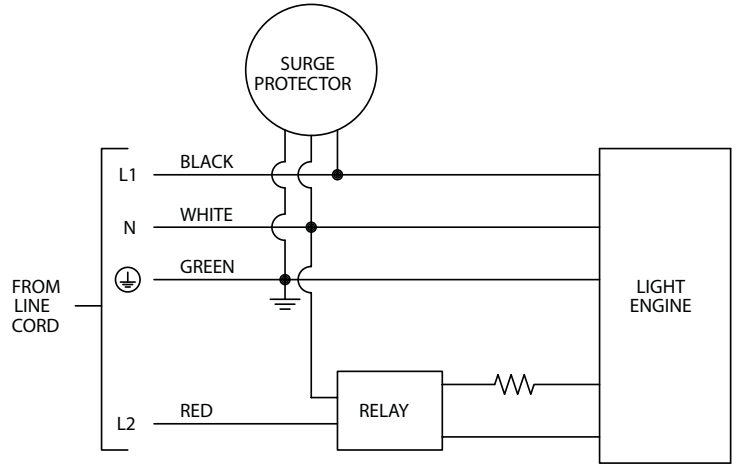
**Standard Single Wiring & Dynadim (DMY)**



**Hi-Lo Switching Option (HL) Wiring**

LG4700 and LG4105, 120V, 240V, 277V. When red is energized, light output will be at "Lo" level. Specify low level by using one of the 3 levels listed below (i.e. HL70, HL50 and HL33). For other combinations, consult factory.

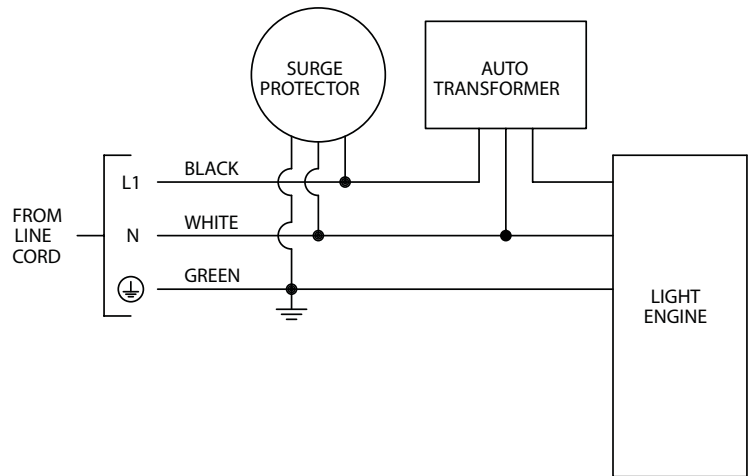
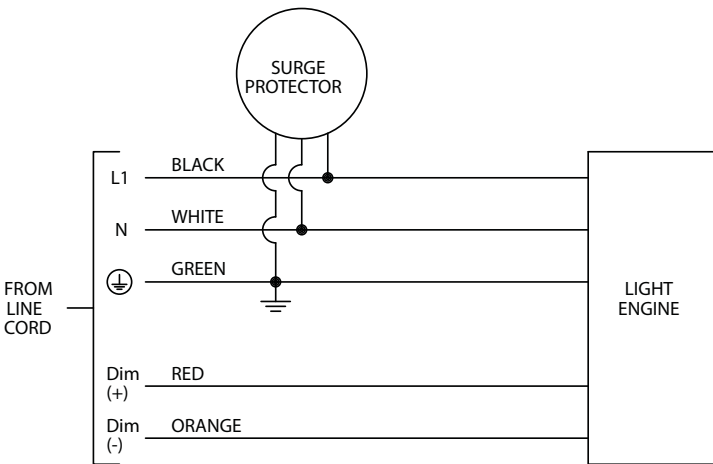
| Standard HL levels    | LG4105 | LG4700 |
|-----------------------|--------|--------|
| HL70 = low output 70% | X      | X      |
| HL50 = low output 50% | X      | X      |
| HL33 = low output 33% | X      | X      |



**0-10V Dimming Option (DM) Wiring**

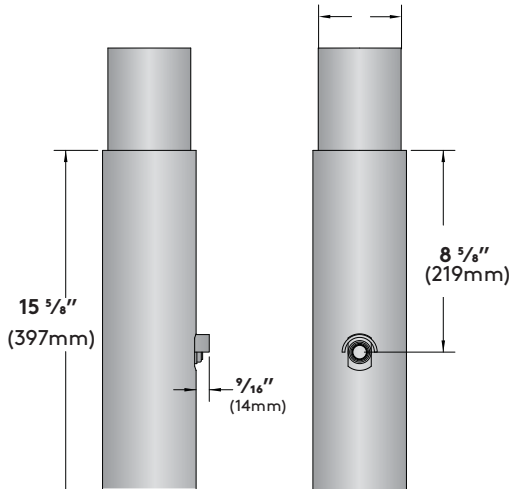
LG4700 and LG4105, 120-277V. (347V and 480V available with step-down transformer.

347/480 V

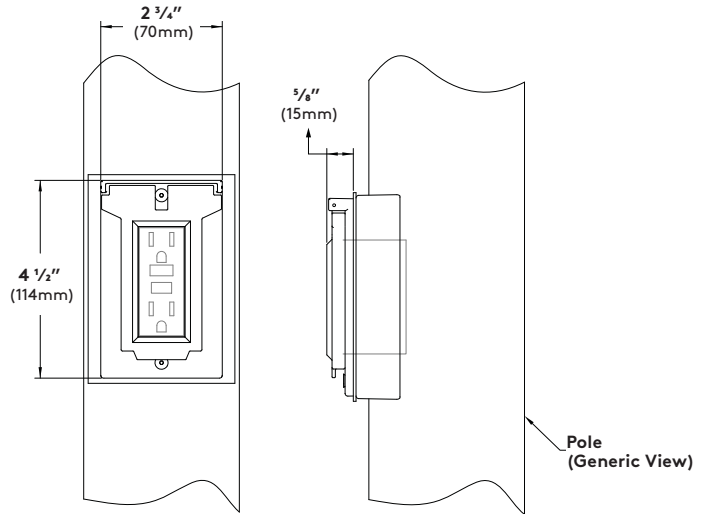


**Optional Accessories**

**Photo Cell Tenon (PCT)** - Button type photocell mounted in cast aluminum pole top tenon. Tenon has integral cast visor to prevent false start/stop cycle and can be oriented for optimum performance. Refer to luminaire spec sheet to determine if this option is applicable.



**GFCI Receptacle (REC)** - 120V 15A GFCI duplex receptacle with weather-proof, self-closing cover; located 36" (915mm) from base of pole, inline with handhole. Receptacle is intended only for portable tools or other portable equipment to be connected to outlet only when attended by operating personnel (120V only).



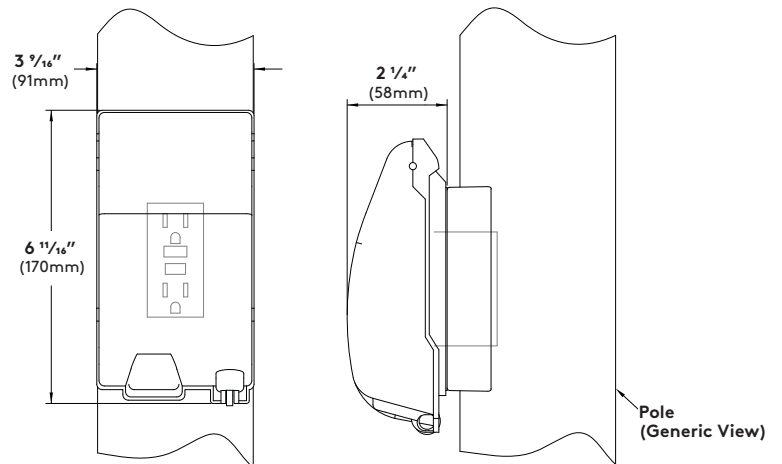
Cover shown in the closed position

**Dynadim (DMY)** - Please refer to the Dynadim Option Form (includes a link to the Philips® Design-In Guide) on the Selux [Saturn 2 Cutoff LED webpage](#) under Additional Downloads.

**Single Fusing (FS)** - Single inline fuse holder, shipped separately for infold installation behind hand hole (by others). Available up to 277V.

**No Uplight Finish (DS)** - In order to achieve BUG U0 rating, the hood support and the driver cover are painted matte black to avoid uplight.

**GFCI Receptacle (REC2)** - 120V 15A GFCI duplex receptacle with weather-proof, self-closing padlockable in-use cover; located 36" (915mm) from base of pole, inline with handhole. Receptacle is intended only for portable tools or other portable equipment to be connected to outlet only when attended by operating personnel (120V only).



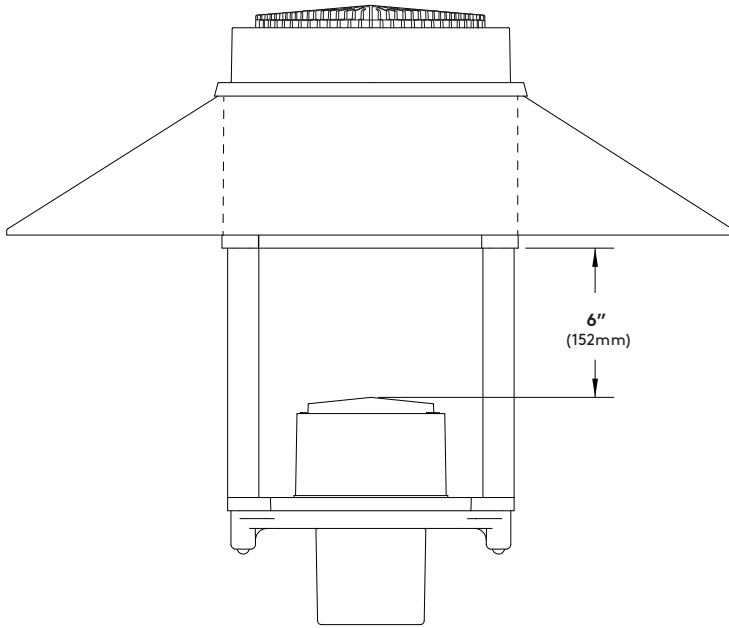
Cover shown in the closed position



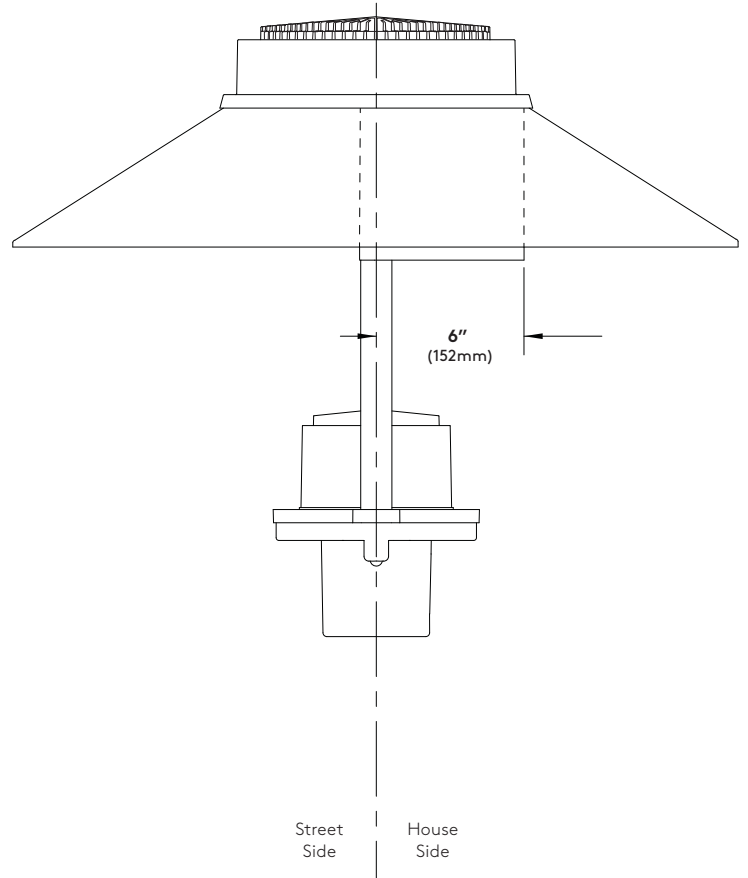
Optional Accessories

House Side Shield

Front View

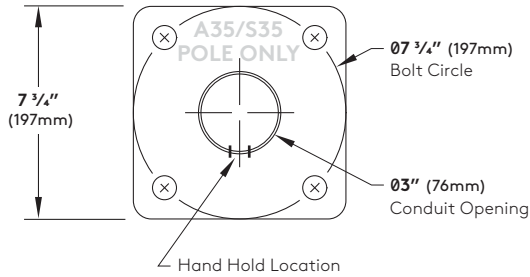


Side View



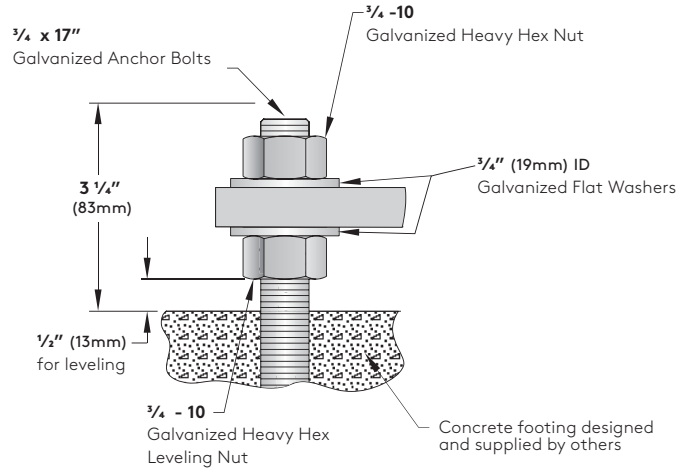
### Bolt Circle for A35 & S35

Use caution when setting anchor bolts. Bolts must be vertically straight and centered on dimensions shown



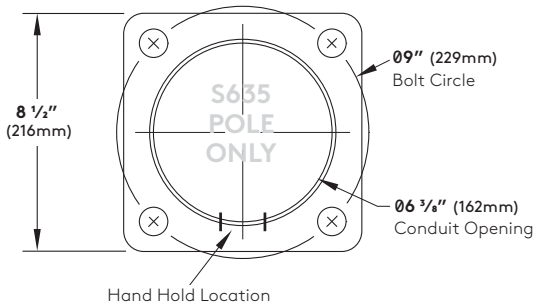
Note: Adequate drainage must be provided in concrete foundation.

### Anchor Bolt Detail for A35 & S35



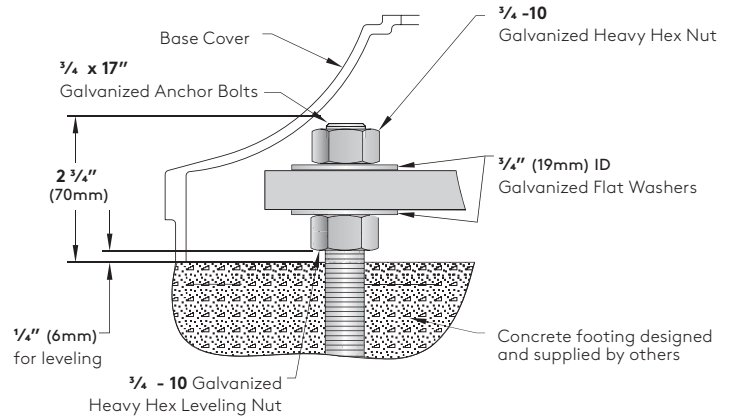
### Bolt Circle for S635

Use caution when setting anchor bolts. Bolts must be vertically straight and centered on dimensions shown.



Note: Adequate drainage must be provided in concrete foundation.

### Anchor Bolt Detail for S635



Photometry

| Conversion Chart<br>Values based on 16' (4.9 m) mounting height |          |
|---|----------|
| Mounting Height   | Multiply |
| 10' (3.0 m)   | 1.27     |
| 12' (3.7 m)   | 1.16     |
| 14' (4.3 m)   | 1.07     |
| 16' (4.9 m)   | 1.00     |
| 18' (5.5 m)   | 0.84     |

| LED CCT Prorate Table<br>Values based on Flux Binning |                        |
|---|------------------------|
| CCT   | Theoretical Multiplier |
| 3000K   | 0.77                   |
| 3500K   | 0.85                   |
| 4000K   | 0.92                   |
| 5000K   | 1.00                   |

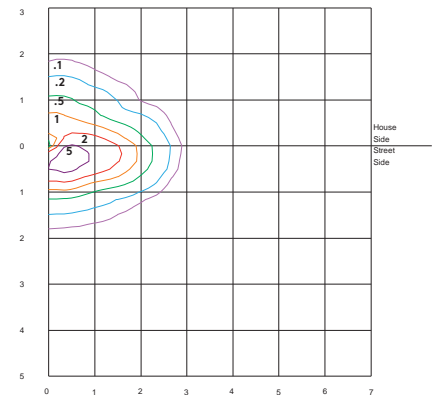
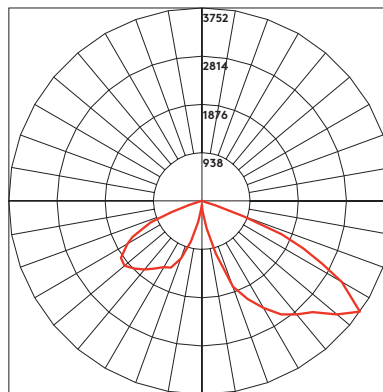
| LED Information       | Neutral White (5000K), Type V (R5) |        |             |
|-----------------------|------------------------------------|--------|-------------|
|                       | Multiplier*                        | Base   | Multiplier* |
|                       | LG4500                             | LG4700 | LG4105      |
| Delivered Lumens (lm) | .80                                | 5160   | 1.50        |
| Wattage (W)           | .76                                | 67     | 1.50        |
| Efficacy (lm/W)       | 1.05                               | 77     | .99         |

\*These multipliers apply to all distribution types.

R1 Optics / 65W LED / 5000K CCT

Catalog #: SAC2L-1-LG4700-R1-50-120  
 Delivered Lumens: 4507  
 Input Watts:  
 Efficacy: 67 lm/W  
 CRI:  
 Maximum candela of 3752 at 55° from vertical.  
 IES classification - Type I Full-Cutoff  
 Mounting Height = 16' (4.9 m)  
 B1-U0-G1  
 IDA-Approved™ dark sky friendly  
 Power Factor:  
 Total Harmonic Distortion:

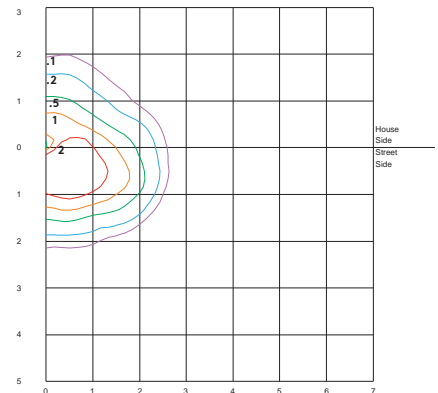
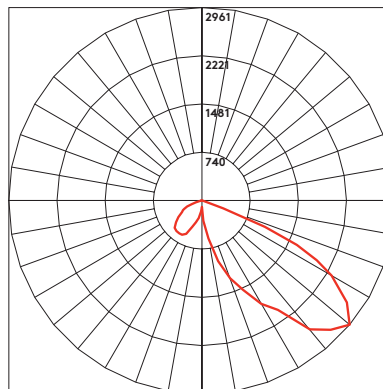
[Link to photometry \(PDF\)](#)  
[Link to photometry \(IES\)](#)



R2 Optics / 65W LED / 5000K CCT

Catalog #: SAC2L-1-LG4700-R2-50-120  
 Delivered Lumens: 4454  
 Input Watts:  
 Efficacy: 66 lm/W  
 CRI:  
 Maximum candela of 2961 at 50° from vertical.  
 IES classification - Type II Full-Cutoff  
 Mounting Height = 16' (4.9 m)  
 B1-U0-G1  
 IDA-Approved™ dark sky friendly  
 Power Factor:  
 Total Harmonic Distortion:

[Link to photometry \(PDF\)](#)  
[Link to photometry \(IES\)](#)

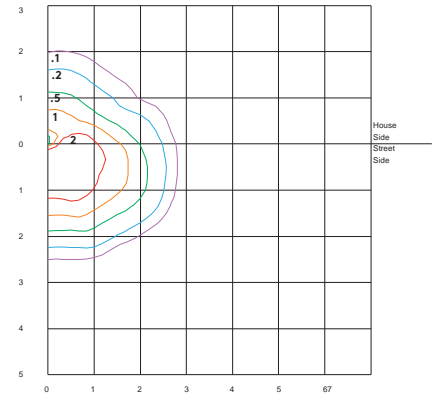
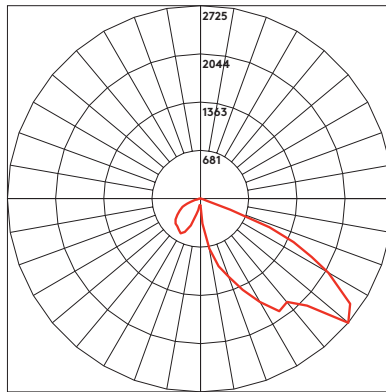


**Photometry**

**R3 Optics / 65W LED / 5000K CCT**

Catalog #: SAC2L-1-LG4700-R3-50-120  
 Delivered Lumens: 4837  
 Input Watts:  
 Efficacy: 72 lm/W  
 CRI:  
 Maximum candela of 2725 at 50° from vertical.  
 IES classification - Type III Full-Cutoff  
 Mounting Height = 16' (4.9 m)  
 B1-U0-G1  
 IDA-Approved™ dark sky friendly  
 Power Factor:  
 Total Harmonic Distortion:

[Link to photometry \(PDF\)](#)  
[Link to photometry \(IES\)](#)



**R5 Optics / 65W LED / 5000K CCT**

Catalog #: SAC2L-1-LG4700-R5-50-120  
 Delivered Lumens: 5046  
 Input Watts:  
 Efficacy: 75 lm/W  
 CRI:  
 Maximum candela of 2016 at 65° from vertical.  
 IES classification - Type III Full-Cutoff  
 Mounting Height = 16' (4.9 m)  
 B2-U0-G2  
 IDA-Approved™ dark sky friendly  
 Power Factor:  
 Total Harmonic Distortion:

[Link to photometry \(PDF\)](#)  
[Link to photometry \(IES\)](#)

